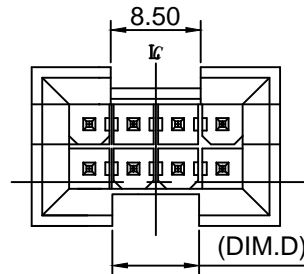
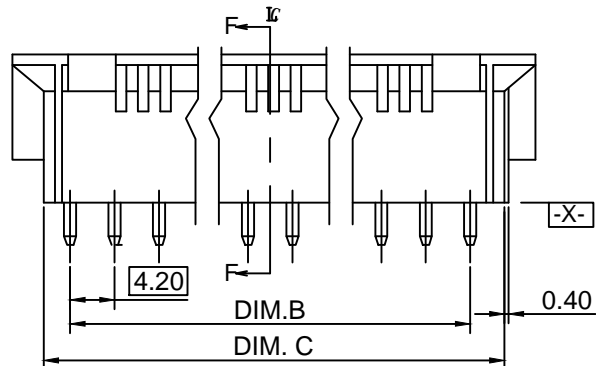


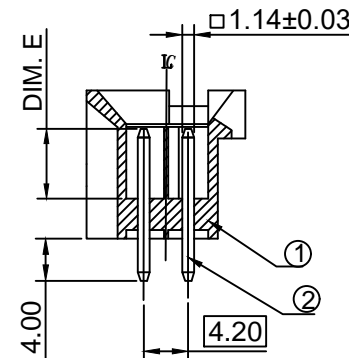
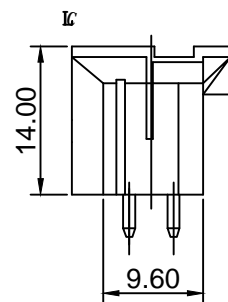
5/10-12/24 POS TYPE



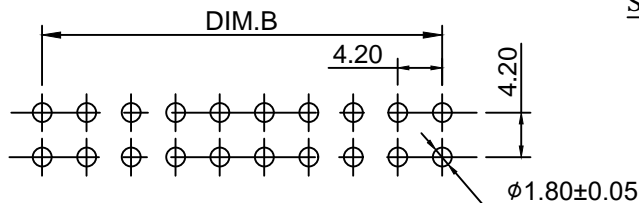
3/6-4/8 POS TYPE



VIEW G



SEC : F - F



RECOMMENDED PCB LAYOUT

P111 SERIES

1. Operation Temperature Range : -40°C to +105°C
2. Dimensioning Shall Be Interpreted Per ANSI Y14.5M-1994
3. Contact Retention Force : 1.36kgf min. Per Contact

ORDERING INFORMATION

P111 - □□ - □

No. of Single Row Pos. ┘

┘ Plating

- 0 : 100µ" Min. Tin Overall
- 2 : Gold Flash Overall
- 8 : 15µ" Gold

P111 - 12 - □	12/24	57.08	46.20	51.2		Pin 18	Others
P111 - 10 - □	10/20	48.68	37.80	42.8		None	Others
P111 - 09 - □	9/18	44.48	33.60	38.6		Pin 1	Others
P111 - 08 - □	8/16	40.28	29.40	34.4		None	Others
P111 - 07 - □	7/14	36.08	25.20	30.2		None	Others
P111 - 06 - □	6/12	31.88	21.00	26.0		None	Others
P111 - 05 - □	5/10	27.68	16.80	21.8		Pin 1	Others
P111 - 03 - □	3/6	19.28	8.40	13.4	8.20	Pin 1, 2, 4, 5	Others
Part No.	No. of Pos.	Dim. A	Dim. B	Dim. C	Dim. D	Short 4.85 Pin. No.	Long 6.60 Pos. No.
						Dim. E	Mating Length

②	Base on Pos.	Contact : Brass
①	1	Insulator : Nylon 66 UL94V-0 Color : White
Item	Q'ty	Description
COMPONENT PARTS LIST		

Title : Customer Drawing		Type : Power Connector		彩電企業股份有限公司 CHARTRON INCORPORATION			
Part No. : P111 Series							
Description : P111 Power Connector				Tolerances Unless Otherwise Specified :			
X. ± 0.50		.X ± 0.38		.XX ± 0.25			
X. ° ±		.X ° ±		.XX ° ±			
DWG No. : 010 - 0002 - 438		Date : 01 - Aug. - 2004		Dim. Scale Sheet Rev. mm N/A 1 of 1 A			
APPD. : James C.		CHK. : Connie Z.					