

# P550 SERIES

- CONTACT RETENTION FORCE : 0.91kgf MIN.
- OPERATION TEMPERATURE : -40°C TO +105°C

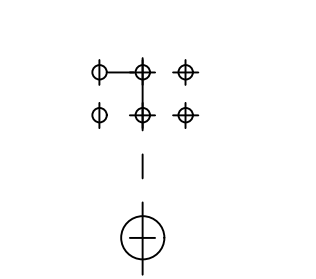
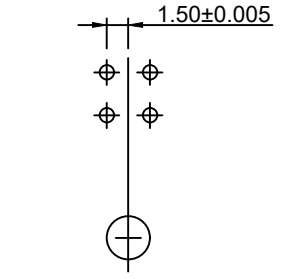
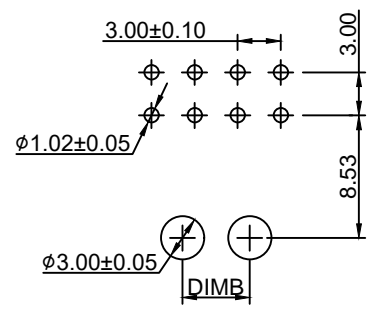
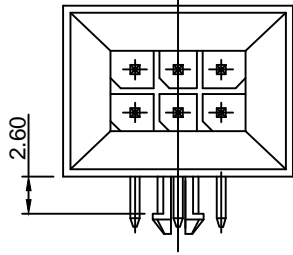
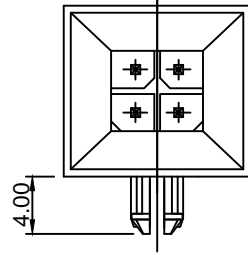
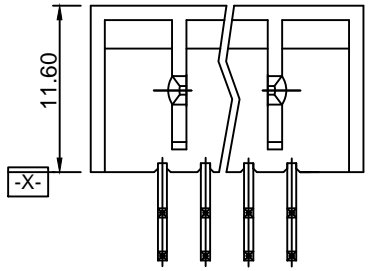
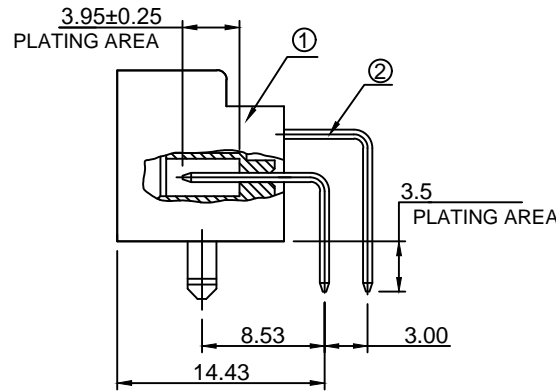
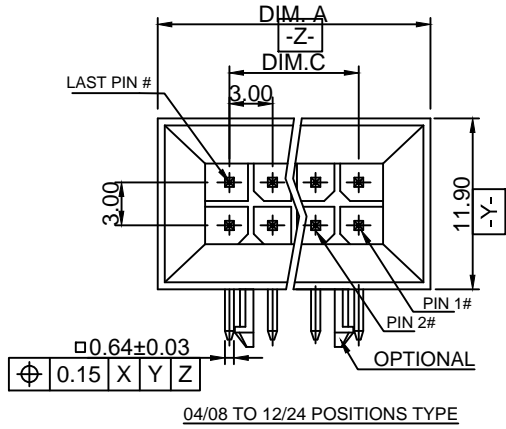
## Electrical Specification :

CURRENT RATING : 5A  
 VOLTAGE RATING : 250V  
 CONTACT RESISTANCE : 10 MILLIOHMS MAX.  
 DIELECTRIC VOLTAGE : 1500 VAC 1 MINUTE  
 INSULATION RESISTANCE : 1000 MEGOHMS MIN.

## ORDERING INFORMATION

P550 - □□ - □ - □□

**No. of Single Row Pos.** \_\_\_\_\_ None : Standard Product  
**Contact Area Plating** \_\_\_\_\_ P2 : With Peg  
 0 : 200μ" Min. Tin/Lead Plating Over All  
 2 : Gold Flash Over All



P550 - 08 - □ - □□	8/16	31.0	16.68	21.00
P550 - 05 - □ - □□	5/10	22.0	7.68	12.00
P550 - 03 - □ - □□	3/6	16.0	N/A	6.00
Part No.	No. of Pos.	Dim. A	Dim. B	Dim. C

ITEM	Q'TY	DESCRIPTION
①	1	Insulator : PA6T+30% G/F UL94V-0 Color : Black
②	BASE ON POS.	Contact : Brass 50μ" Min. Nickel Under Plating
<b>COMPONENT PARTS LIST</b>		

Title : Customer Drawing		Type : Power Connector	
Part No. : P550 Series			
Description : P550 Power Connector Pitch 3.00 mm, Row to Row 3.00 mm			
彩電企業股份有限公司 CHARTRON INCORPORATION			
Tolerances Unless Otherwise Specified :			
X. ± 0.50	.X ± 0.38	.XX ± 0.25	
X. ° ±	.X ° ±	.XX ° ±	
DWG No. : 010 - 0002 - 447	Date : 01 - Aug. - 2004	Dim. Scale Sheet Rev. mm N/A 1 of 1 A	
APPD. : James C.	CHK. : Connie Z.		DRW. : Bryant C.